



BOLLARD WAREHOUSE™

P.O. BOX 298

BATAVIA, IL 60510

PHONE 877-727-7347

FAX 800-814-7194

WWW.BOLLARDWAREHOUSE.COM



GENERAL WARNINGS AND CAUTIONARY STATEMENTS **COLLAPSIBLE BOLLARDS**

In order to safely and effectively use any Bollard Warehouse product, please read and understand the General Warnings and Cautionary Statements contained below. If you have any questions about any of these General Warnings and Cautionary Statements, or about any aspect of Bollard Warehouse products or literature, please contact Bollard Warehouse at 877-727-7347, or email at sales@bollardwarehouse.com.



Bollard selection and placement based on vehicle weight, speed and other site specific factors to be determined by owner.



Failure to utilize Bollard Warehouse authorized parts, or modifications to the Bollard Warehouse products, or failure to follow the recommended installation procedures, will result in your warranty being null and void.



Read and fully understand the installation instructions before attempting to install any Bollard Warehouse bollard product.



Substitution of components may impair the proper function of Bollard Warehouse bollards products. If you need replacement parts, please contact Bollard Warehouse at the number and email above.



Always ensure that the lock pin is locked into place in the upright position with all collapsible bollards.



WARNING: Failure to return collapsible bollard to upright, locked position immediately after use poses a significant hazard.



Replacement lock pins are available for purchase at Bollard Warehouse. For purchase of replacement lock pins or other components, please contact Bollard Warehouse at the number or email above.



CAUTION: Lock pin must always be secured with padlock when bollard is in upright position.



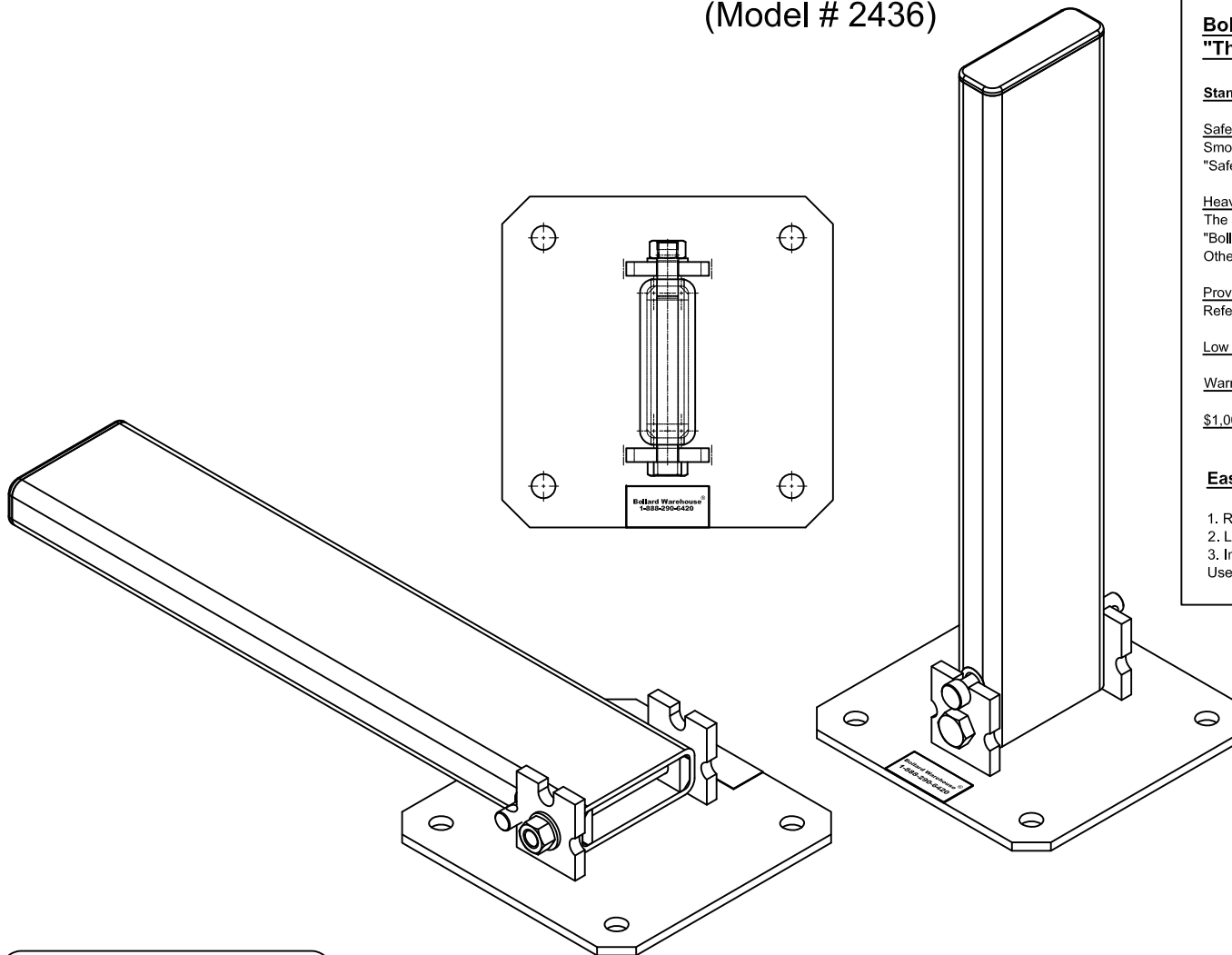
For maximum effectiveness of Bollard Warehouse bollard products, be sure to properly maintain bollards by replacing any damaged, corroded or missing components, and reapply paint as required to maximize visibility. Failure to properly maintain product can negatively impact the bollards performance over time.



To ensure visibility of bollards, be sure to apply all decals that are provided with the product, and in the manner recommended by Bollard Warehouse.

If in doubt **CALL** Bollard Warehouse 877-727-7347

Two-Way Collapsible Bollard (Model # 2436)



Bollard Warehouse® **"The Two-Way Collapsible Bollard"**

Standard Features Include:

Safety

Smooth Surface bollard post at 30" or 36" height and painted with highly durable "Safety Yellow" finish are standard for high visibility and no sharp edges.

Heavy Duty:

The 2436 shall be installed with the appropriate detail per "Bollard Post Concrete Anchorage Detail" provided by Bollard Warehouse. Other anchorage systems may cause premature failure.

Proven Performance:

References Available Upon Request

Low Maintenance

Warranty

\$1,000,000 Liability Coverage

Ease of Use in Three Easy Reversible Steps

1. Remove the Padlock and Lock Pin.
 2. Lower the 2x6 Bollard Post
 3. Install the Lock Pin and Padlock
- Use the reverse procedure to raise the bollard post.

Bollard Warehouse
P.O. Box 298, Batavia, IL. 60510
Phone: 888-290-6420
Fax: 888-290-6422
www.bollardwarehouse.com

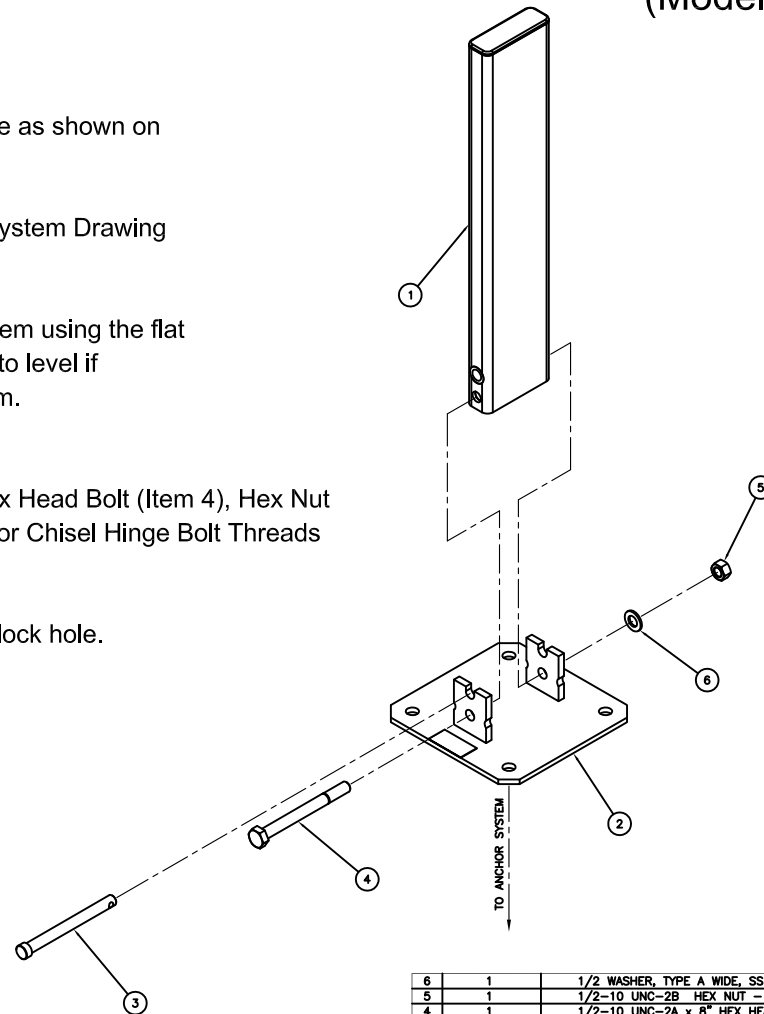
Bollard Warehouse®		NAME:	USED ON:	TOLERANCES:	ACTION:	BY:	DRAWING NUMBER:
www.bollardwarehouse.com		DISPLAY		0.X ± 0.1		WKZ	2436
P.O. Box 298, Batavia, IL. 60510		1. DO NOT SCALE FROM DRAWING		0.000 ± 0.06			
Bus: 888-290-6420 Fax: 888-290-6422		2. UNITS ARE INCHES UNLESS OTHERWISE NOTED		ANGULARS ± 1°		CJD	SCALE: 1:4 DATE: 3.8.10 SIZE: 34 X 22
		3. DIMENSIONING BASED ON ASME Y14.5M-1994		FRACTION ± 1/16		WKZ	WE: 55 LBS COPY: 2010 SHEET: 1 of 1

Installation Instructions:

HINGED SINGLE POST BOLLARD

1. **Verify that all** Hinged Single Post Bollard parts are in the shipment package as shown on the "Bill of Material".
 2. Provide Hinged Single Post Bollard Anchor System (see included Anchor System Drawing CPAS-2436) of your choice at a location to suit your specific needs.
 3. Install Base Weldment (Item 2) true and level on your selected Anchor System using the flat washers and hex nuts included in your Anchor System Kit. Use S.S. shims to level if needed. Torque hex nuts to Minimum 100 ft-lbs for CPAS10 Anchor System. Torque hex nuts for other Anchor Systems to Manufacturers Specification.
 5. Install Bollard Post Weldment (Item 1) to Base Weldment (Item 2) using Hex Head Bolt (Item 4), Hex Nut (Item 5), and Washer (Item 6) as shown. Tack Weld Hex Nut to Hinge Bolt or Chisel Hinge Bolt Threads such that Hex Nut cannot be easily removed.
 6. Install Pin (Item 3) thru UP Position Bollard Post, and install Padlock at padlock hole.
 7. Install the Label at the location shown.
 8. Check the functional operation of the Hinged Bollard Post.
- * Note: S.S. shims, tools, grease, and padlock are not provided.

Two-Way Collapsible Bollard (Model #2436)



ITEM	QTY.	DESCRIPTION
6	1	1/2 WASHER, TYPE A WIDE, SS
5	1	1/2-10 UNC-2B HEX NUT - SS 316
4	1	1/2-10 UNC-2A x 8" HEX HEAD BOLT - SS 18-8
3	1	PIN
2	1	BOLLARD POST WELDMENT
1	1	BASE WELDMENT

BILL OF MATERIAL

This Drawing shall not be used nor reproduced except when authorized in writing by Bollard Warehouse.

Bollard Warehouse® P.O. Box 298, Batavia, IL 60510 Bus: 888-290-6420 Fax: 888-290-6422 www.bollardwarehouse.com		NAME: ASSEMBLY USED ON: TOLERANCES: 0.X = ±0.1 0.00X = ±0.006 ANGLE: 1° DIMENSIONING BASED ON ASME Y14.5M-1994 FRACTION: 1/16	ACTION: BY: WKZ DRAWING: CJD CHECKED: WKZ SCALE: 1:4 DATE: 3.8.10 WEIGHT: 52 LBS COPYRIGHT: 2010	DRAWING NUMBER: 2436 SIZE: 34 X 22 SHEET: 1 of 1
---	--	--	--	--

Bollard Warehouse
 P.O. Box 298, Batavia, IL 60510
 Phone: 888-290-6420
 Fax: 888-290-6422
www.bollardwarehouse.com

Bollard Warehouse

P.O. Box 298, Batavia, IL. 60510

Phone: 888-290-6420

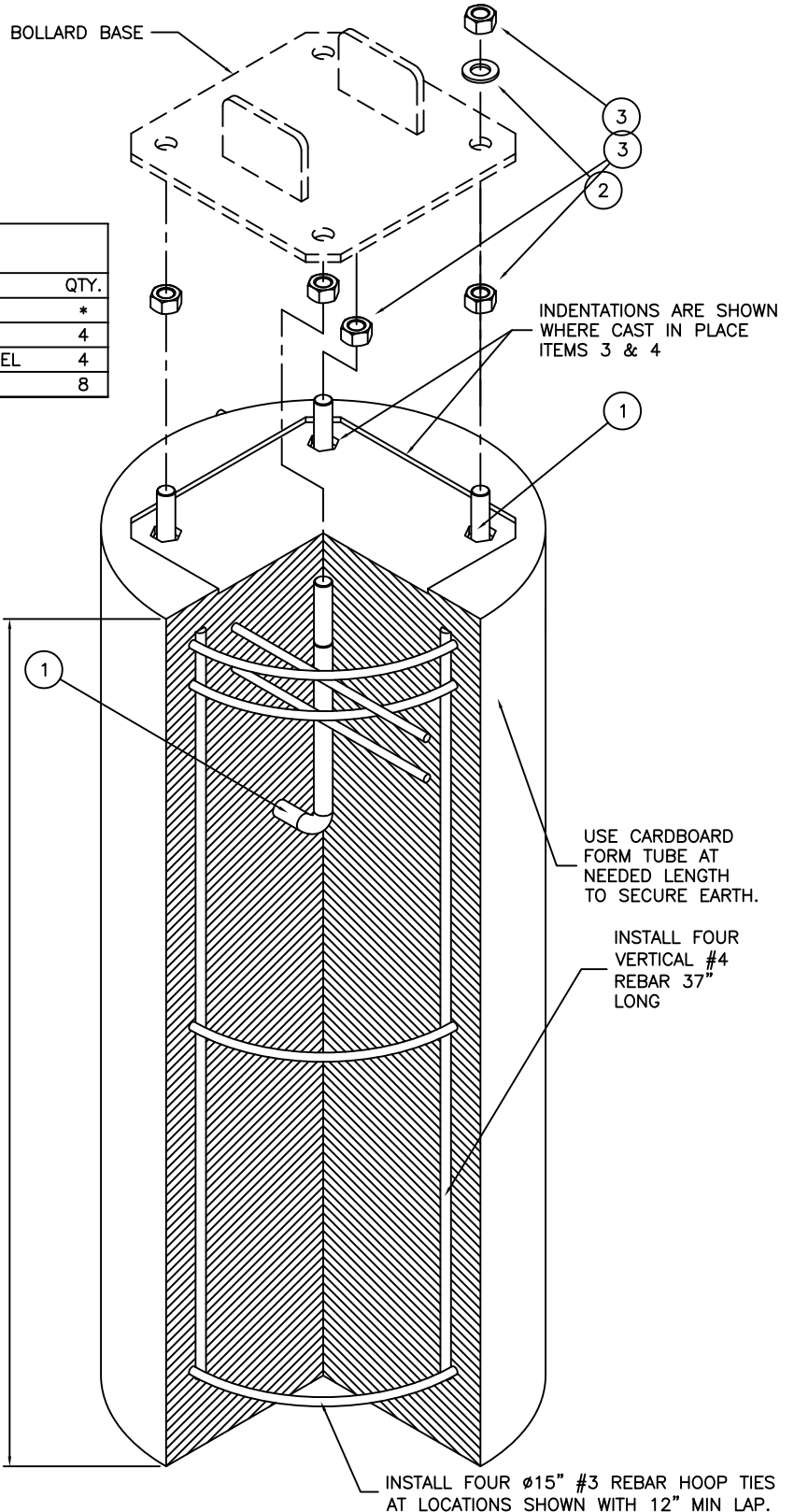
Fax: 888-290-6422

www.bollardwarehouse.com

Footing Detail

FOR MODEL: 2436

NOTE: CONCRETE, FORM AND REBAR PROVIDED BY OTHERS



BILL OF MATERIAL

ITEM	DESCRIPTION	QTY.
*	ANCHOR BOLT KIT	*
1	1/2" x 12" TYPE L ANCHOR BOLT-H.D.G.	4
2	1/2" TYPE A FLAT NARROW WASHER GALVANIZED STEEL	4
3	1/2" HEX NUT GALVANIZED STEEL	8

*Anchor Bolt Kit included only if ordered at an additional cost.

18" CONCRETE PIER AT 42" BELOW GRADE

CONCRETE PIER ANCHOR SYSTEM (CPAS-2436)