

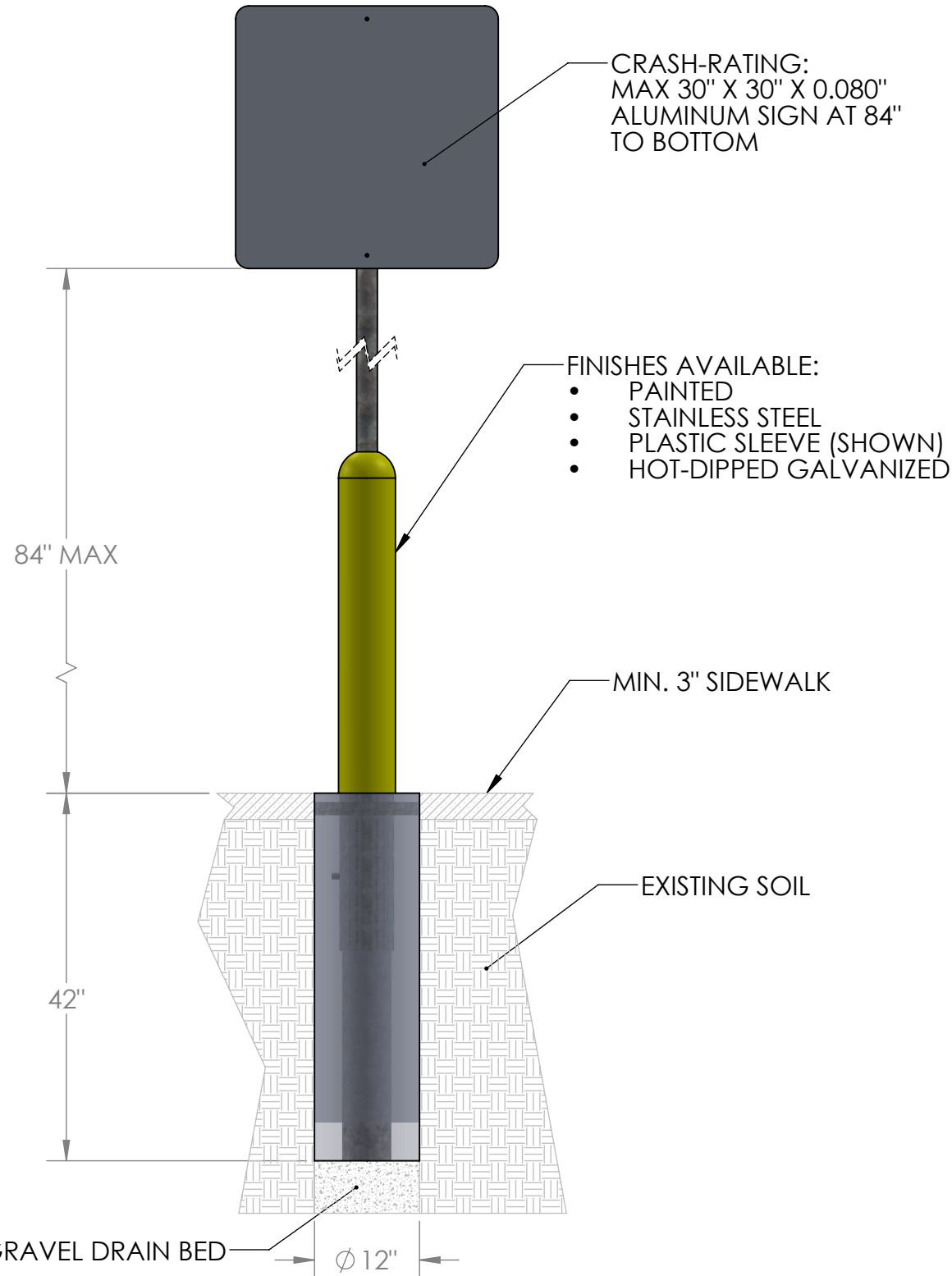
4

3

2

1

REMOVABLE BOLLARD OPTION WITH SIGN




TRAFFICGUARD® CORE-IN PROTECTION SYSTEM
ASTM F3016 S10 - 5 IN. BOLLARD WITH SIGN

ALL MATERIALS, WITH THE EXCEPTION OF CONCRETE AND SIGN, REQUIRED FOR INSTALLATION ARE PROVIDED BY TRAFFICGUARD®, INC. FOR EACH INSTALLATION.

ALL STEEL PARTS PROVIDED ARE HOT-DIPPED GALVANIZED PER ASTM A123.

US PATENT 8,297,873; 11,124,934; AND PATENTS PENDING.

	TrafficGuard®, Inc. PO Box 201, Geneva IL 60134 www.trafficguard.net (877) 727-7347 sales@trafficguard.net
---	--

TITLE:		5 in. S10 Removable Post	
APPROVED BY:		DATE:	REV:
MSB		12/29/2021	
SIZE	DWG. NO.	SHEET 1 OF 1	WEIGHT:
B	Cutsheet 5 in. S10 Removable wSign	DO NOT SCALE DRAWING	SCALE: 1:32

REV NO	DATE	BY	COMMENTS

PROPRIETARY AND CONFIDENTIAL
THE INFORMATION CONTAINED IN THIS DRAWING IS THE SOLE PROPERTY OF TRAFFICGUARD®, INC. ANY REPRODUCTION IN PART OR AS A WHOLE WITHOUT THE WRITTEN PERMISSION OF TRAFFICGUARD®, INC. IS STRICTLY PROHIBITED.

4

3

2

1

B

B

A

A